

SPECIFICATIONS

Max. working height	17.70 m
Max. height to basket floor	15.70 m
Max. horizontal outreach to edge of basket	8.8 m/80kg 6.3 m/200kg
Safe Working Load (S.W.L.)	200kg
Boom rotation (slew)	360°
Length (stowed) with basket	4910 mm
Length (stowed) without basket	4250 mm
Width (stowed)	792 mm
Height (stowed)	1951 mm
Basket dimension	1.20x0.66 m
Weight (approx.)	2400kg
Pressure on ground (stowed)	5.25 N/cm ²
Max. stabilizer pressure on ground	1500 da/N
Stabilizer set-up dimensions	3.70x3.10 m
Drive speed	1.5 Km/h
Gradeability: Length-wise	27° (51%)
Gradeability: Side ways	14° (25%)
Power source:	
GX390 Honda petrol	11/3600 Hp/rpm
L100N Yanmar diesel	9/3200 Hp/rpm
Electric motor	240V

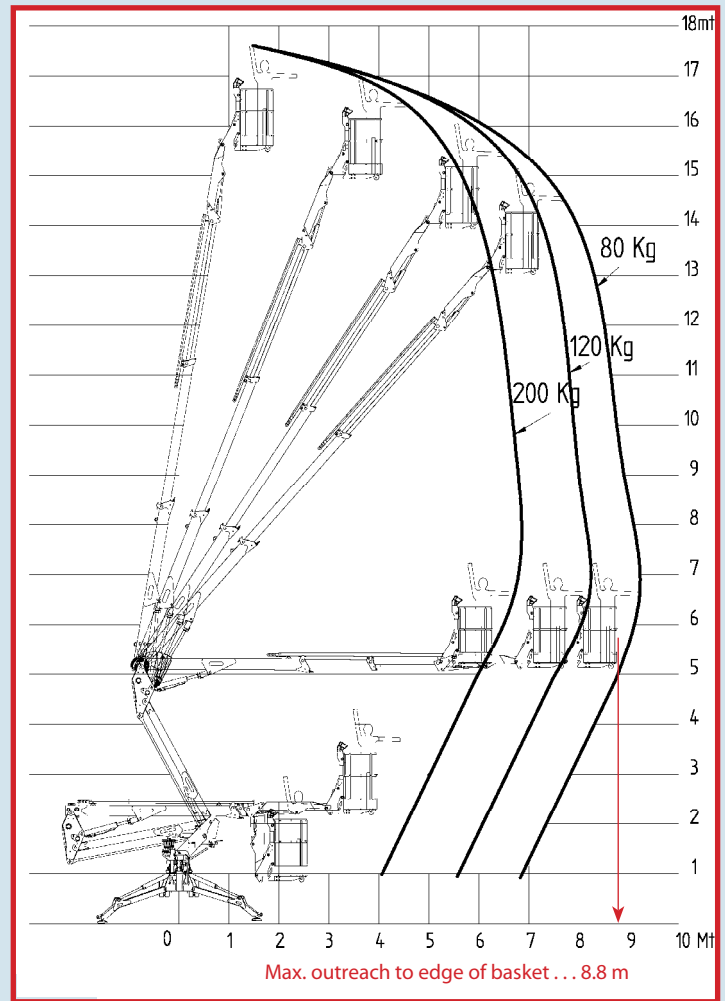
STANDARD FEATURES

- Emergency hand pump
- Quickly and easily removable basket
- Hour Meter
- 240 volt outlet in basket
- Air & water outlet in basket
- Stabilizers/booms interlocking
- Automatic safe working device
- Black rubber tracks
- 240 volt electric motor for indoor/outdoor use
- Variable track widths for indoor and outdoor use
- Complies with EN280 - AS1418.10 - B354-4

OPTIONAL EXTRAS

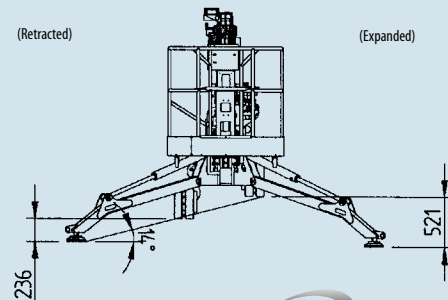
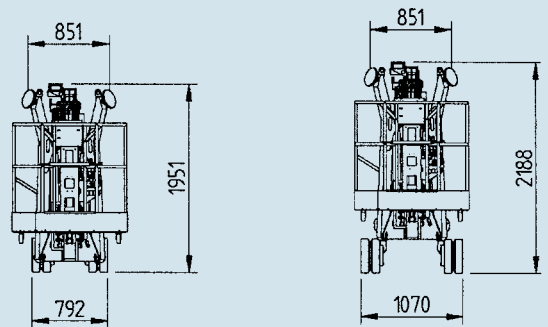
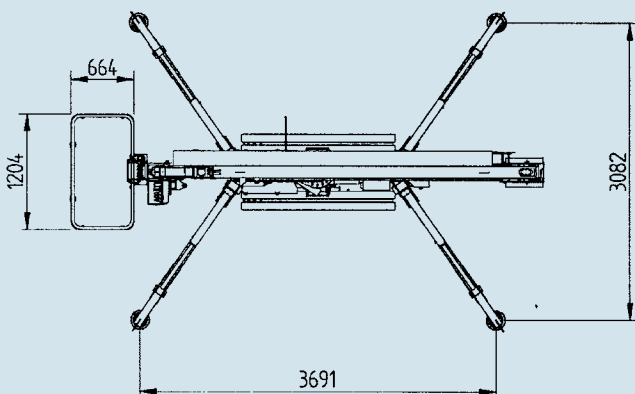
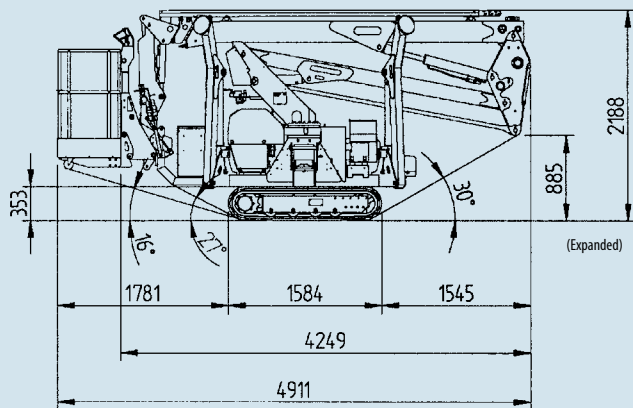
- Non marking tracks
- 12 V emergency lowering kit
- Basket anti-collision kit
- Remote control for drive and stabilizers
- Electronic planarity sensor & interlocking device
- Larger stabilizer foot pads (350mm diam)
- Basket Rotation

Technical Features & Specifications



(E & OE.)

Complies with AS1418.10 (Int. 2004.)



monitor
Industries

PO Box 7090 Tamworth 2348
143 Gunnedah Highway Tamworth 2340
Australia

PH: 02 6755 6000 FAX: 02 6755 6006
e: sales@monitor.net.au w: monitor.net.au